

## KNX智能屏S13技术规格书

### 适用型号

CHTI-13.3/240.1.21

CHTI-13.3/240.1.22

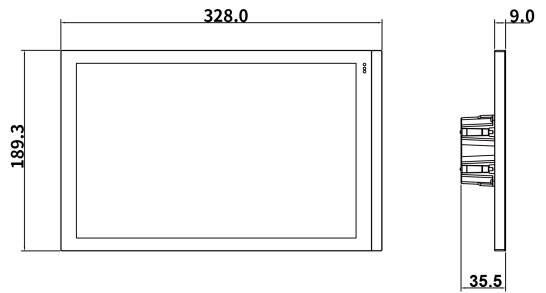
CHTI-13.3/240.1.23

### 产品功能

- 13.3寸IPS屏幕，分辨率1920\*1080
- 4麦克风和双喇叭设计
- 双网口，ETH0用于可视对讲，支持标准48V POE供电；ETH1用于外网
- 8路干接点输入
- 支持WiFi、蓝牙、以太网
- 支持首页功能，且具有设备视图、区域视图和户型图三种设备控制模式
- 240个设备通道，支持基本控制功能，包含开关、调光、窗帘、值发送、色温、颜色控制(RGB、RGBW、RGBCW)、背景音乐、温控功能、空调控制、新风系统控制、并支持空气质量传感器检测值显示和能源检测值显示等
- 支持KNX网关功能，通过视声智家APP实现APP远程控制功能
- 16个定时功能、8个场景组功能、8个逻辑功能
- 30个KNX场景功能
- 24个报警信号功能
- 人本照明控制(HCL)
- 支持白天夜晚模式输出，以及夏令时自动调整
- 具有屏保和锁屏功能
- 内置温湿度传感器、靠近感应传感器、亮度传感器
- 集成SIP对讲和云对讲
- 支持安防监控和监控记录，可接入IP CAM
- 支持语音留言功能、呼叫转移功能
- 支持防区设置，实现布防撤防功能
- 支持OTA升级
- 支持KNX安全协议

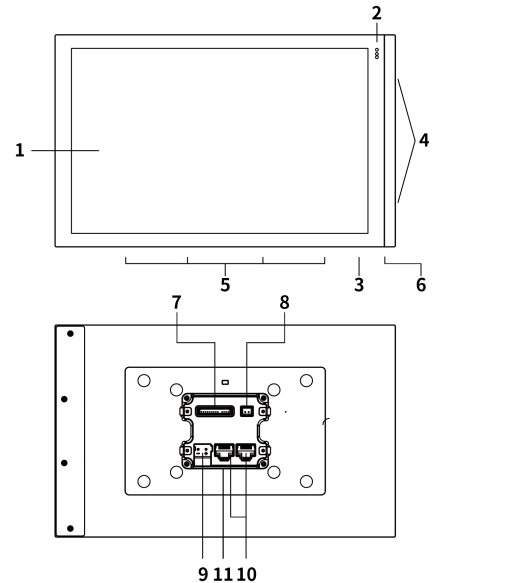
### 技术参数

总线电源	总线电压	21-30V DC, 由KNX总线提供
	总线电流	≤3.8mA/21V, ≤3.4mA/30V
	总线功耗	≤0.1W
辅助电源	电压	24V
	电流	≤450mA/24V, ≤350mA/30V
	功耗	≤11W
接线端口	KNX	总线连接端子(红/黑)
	辅助电源	2P端子(红黑线)
	Eth0	用于可视对讲 支持标准POE供电
	Eth1	支持外网
温度范围	运行	-10°C~55°C
	存储	-25°C~70°C
	运输	-25°C~70°C
感应器	人体感应器	普通模式: 30CM 增强模式: 60CM
	温度感应器	-40°C~80°C
	湿度感应器	0~100%
环境条件	湿度	<95%, 结露除外
安装方式	单86国标底盒或双60欧标底盒	



整机尺寸 328x189.3x35.5mm  
面板厚度 9mm

### 外观介绍



- |            |             |
|------------|-------------|
| 1.触屏与显示区域  | 6.复位按键      |
| 2.光感和靠近感应器 | 7.防区接口      |
| 3.温湿度感应器   | 8.辅助供电连线端子  |
| 4.喇叭       | 9.KNX总线连接端子 |
| 5.麦克风      | 10.以太网网口    |
| 11.Type-C  |             |

### 安装说明

KNX智能屏S13，安装在单86国标底盒或双60欧标底盒中，它不仅需要KNX总线供电，而且还需要一个22-30V DC的辅助电源供电。参数的设置和物理地址的分配可以使用带有.knxprod文件的工程设计工具软件ETS（版本ETS 5.7或以上）。安装时必须确保辅助供电和总线连接正常、设备工作正常。

建议触摸面板安装距地面大约120~140cm高度的位置和距门框水平距离15~20cm的位置。触摸面板不允许安装在与液体直接接触的地方。

### 重要提示

安装和调试设备只能由合格的熟练电工来操作。在计划与实施电气安装的过程中相关的标准、指令、规则和指示都要严格执行。

●需要避免器件在运输、储存、使用的过程中受潮、脏污以及受损。

●不要使器件运行在指定的技术指标之外（例如温度范围）。

当设备脏污时，只可以使用干燥的布来清洁。如果这样不足以清洁干净，可以使用湿布蘸少许肥皂溶液轻轻擦拭。绝不能使用碱剂或者腐蚀性溶剂。



交互说明



使用手册

## Technical Data Sheet KNX Smart Touch S13

CHTI-13.3/240.1.21 (Black)  
CHTI-13.3/240.1.22 (Silver)  
CHTI-13.3/240.1.23 (Gray)

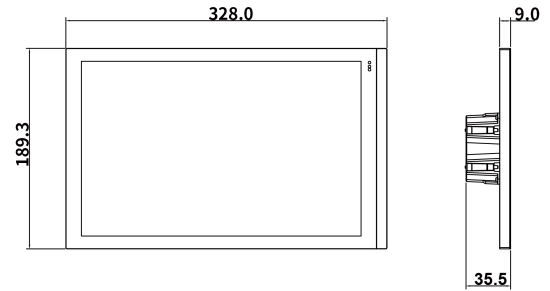
### Product Features

- 13.3 inch IPS screen, with high resolution 1920\*1080
- 4 microphones and dual speakers
- Dual network ports, ETH0 is used for video intercom and supports standard 48V PoE power supply; ETH1 is used for external network
- 8-channel dry contact inputs
- Supports WiFi, Bluetooth, and Ethernet
- Homepage function available, with 3 device control mode including device view, area view and area plan view
- 240 KNX channels, with basic control functions including switch, dimming, blinds, value sender, color temperature, color control (RGB, RGBW, RGBCW), audiocontrol, room temperature control, Air conditioner, Ventilation System control, Air quality and Energy Metering display, etc.
- Support KNX gateway function, realize App remote control function
- 16 Schedules, 8 Scene Group functions, 8 Logic functions
- 30 KNX scene functions
- 24 Alarm functions
- Human Centric Lighting (HCL) available
- Day/Night signal and summer time automatic adjustment
- Panel locking and Screensaver
- Built-in temperature and humidity sensor, proximity sensor, brightness sensor
- Integrate with SIP intercom and cloud intercom
- Security monitoring and surveillance recording with access to IP CAM
- Voice message function and call transfer function
- Setting defense zone setup for arm and disarm functions
- OTA upgrade available
- Support the KNX Data Secure

### Parameters

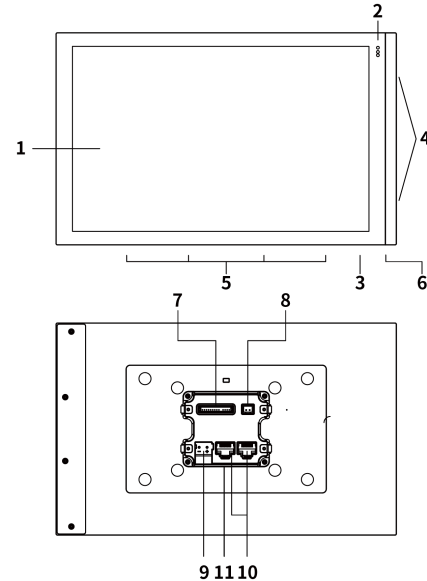
<b>Power Supply</b>	Bus voltage	21-30V DC, via the KNX bus
	Bus current	≤3.8mA/24V, ≤3.4mA/30V
	Bus consumption	≤0.1W
<b>Auxiliary Supply</b>	Voltage	24V
	Current	≤450mA/24V, ≤350mA/30V
	Consumption	≤11W
<b>Port</b>	KNX	Bus connection terminal (Red/Black)
	Auxiliary Supply	2P Terminal (Red/Black)
	Eth0	For video intercom Supports standard PoE power supply
	Eth1	For external network
	Zone Interface	8-channel dry contact inputs
<b>Temperature</b>	Operation	-10°C~55°C
	Storage	-25°C~70°C
	Transport	-25°C~70°C
<b>Sensor</b>	Proximity	Normal:30CM Enhanced:60CM
	Temperature	-40°C~80°C
	Humidity	0~100°C
<b>Environment</b>	Humidity	<95%, except dewing
<b>Installation</b>	Single 86 Box or Dual European 60 Box	

### Dimensions



**Dimensions** 328x189.3x35.5mm  
**Panel thickness** 9mm

### Descriptions



- 1.Touch and display area
- 2.Proximity sensor and brightness sensor
- 3.Temperature sensor
- 4.Speaker
- 5.Microphone
- 6.Reset button
- 7.Zone Interface
- 8.Auxiliary supply
- 9.KNX bus terminal
- 10.Ethernet port
- 11.Type-C

### Installation Guide

KNX Smart Touch S13 can be installed in a single 86 box or dual European 60 box. It requires not only KNX bus powered, but also requires a 22- 30V DC auxiliary power supply. It is available to assign the physical address by engineering design tools ETS with .knxprod (higher than edition ETS 5.7). Must ensure that the device operation, testing, detecting, maintenance correctly.

It is recommended that the touch panel be installed at a height of approximately 120~140cm from the floor and at a horizontal distance of 15~20cm from the door frame. It is not permitted to install the touch panel in a place where it is in direct contact with liquids.

### Important Notice

Installation and commissioning of the device may only be carried out by trained electricians. The relevant standards, directives, regulations and instructions must be observed when planning and implementing the electrical installation.

●Protect the device against moisture, dirt and damage during transport, storage and operation!

●Do not operate the device outside the specified technical data (e.g. temperature range)!

Should the device become soiled, it may be cleaned with a dry cloth. If this does not suffice, a cloth lightly moistened with soap solution may be used. On no account should caustic agents or solvents be used.



**User Interaction**



**User Manual**